

- NOTES:**
- FOR 25mm AND 50mm AIR VALVE MUST USE I.P.T. THREADED OUTLET WITH BRASS NIPPLES AS REQUIRED.
 - CONCRETE REQUIRED ON WATERMAINS 600mm DIA. AND LARGER.
 - SUMP AND 100mmØ DRAIN CONNECTED TO STORM SEWER OR OTHER SUITABLE OUTLET WHEREVER POSSIBLE.



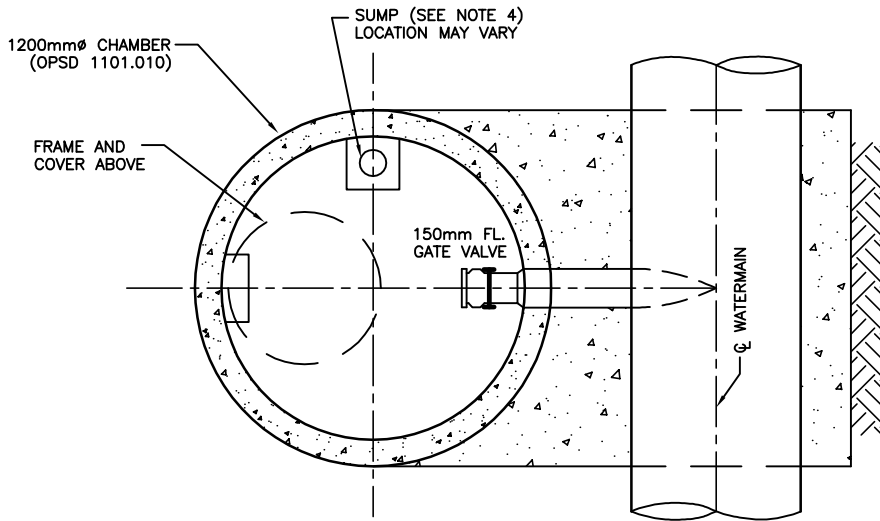
TOWN OF NEW TECUMSETH

AIR VALVE
IN CHAMBER DETAIL

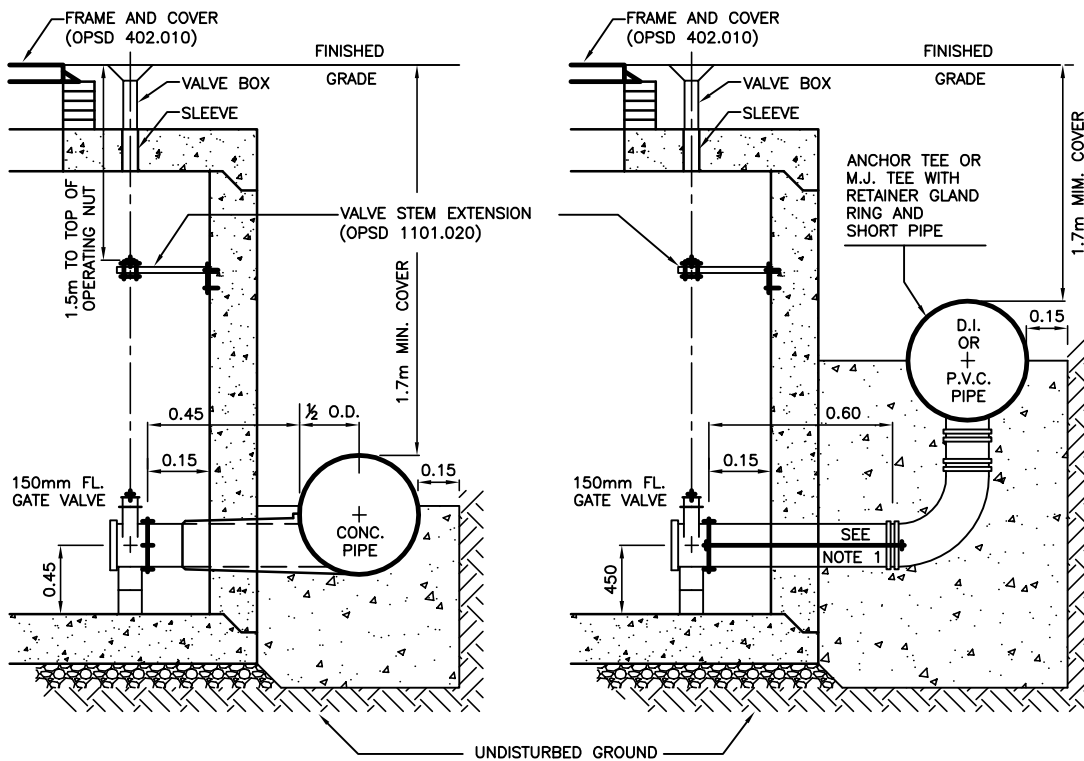
METRIC
ALL DIMENSIONS ARE
IN METRES UNLESS
OTHERWISE SHOWN

NO.	REVISIONS	DATE	APR'D

SCALE: N.T.S.
DATE: JAN. 2005
TNT.SD.
301



TOP VIEW
(CONC. PIPE ONLY)



NOTES:

1. ON D.I. AND P.V.C. PIPE, VALVE TO BE TIED BACK TO WM. WITH S.S. TIE RODS. RETAINOR GLAND RINGS OR UNI-FLANGE 1300C.
2. IF CHAMBER REQUIRES A SAFETY PLATFORM, CHAMBER TO BE 1500mm DIA. (SEE OPSD 1101.010 FOR DETAILS)
3. PROVIDE 200mm DIA. DRAIN VALVE FOR MAIN 750mm DIA. AND LARGER.
4. SUMP AND 100mm ϕ DRAIN CONNECTED TO STORM SEWER OR OTHER SUITABLE OUTLET WHEREVER POSSIBLE.



TOWN OF NEW TECUMSETH

DRAIN VALVE
IN CHAMBER DETAIL



METRIC
ALL DIMENSIONS ARE
IN METRES UNLESS
OTHERWISE SHOWN

NO.

REVISIONS

DATE

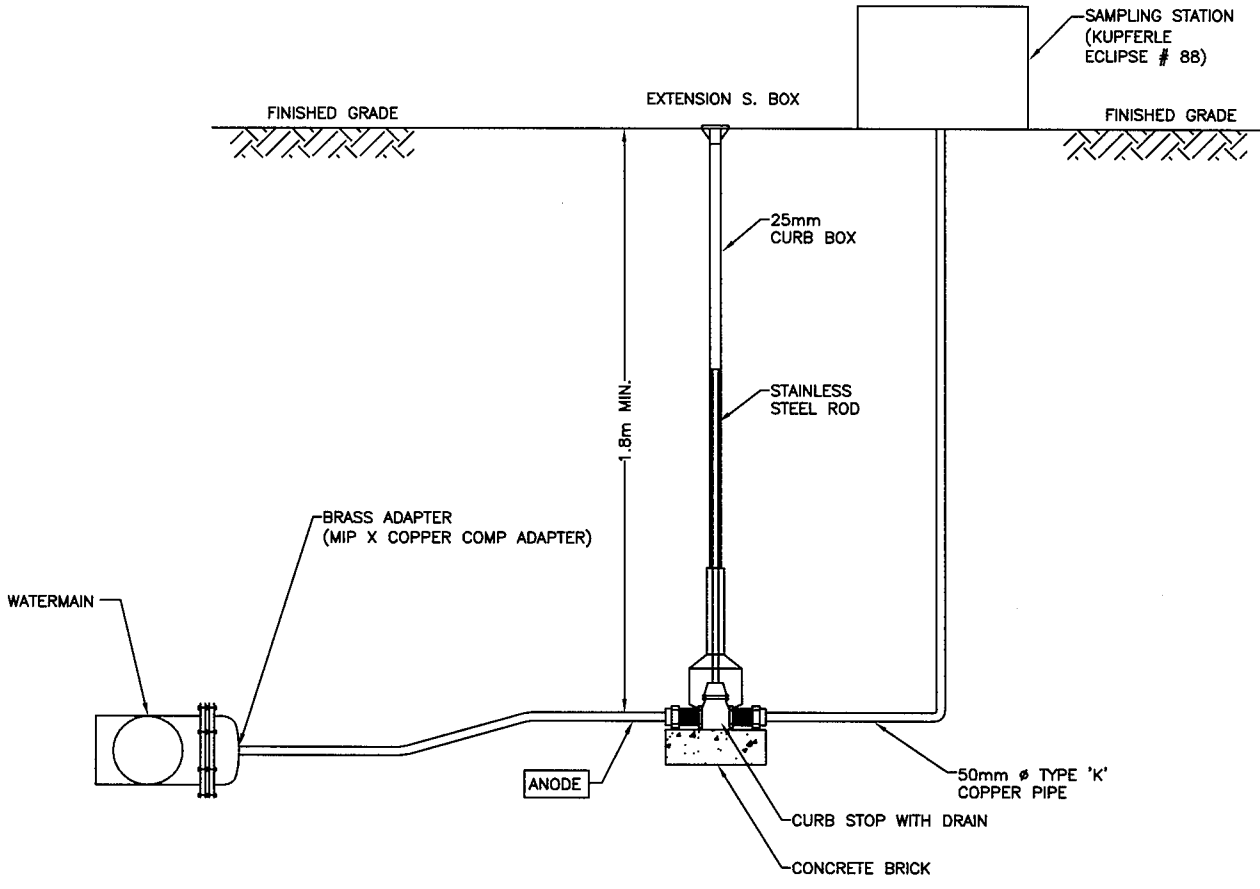
APR'D

SCALE: N.T.S.

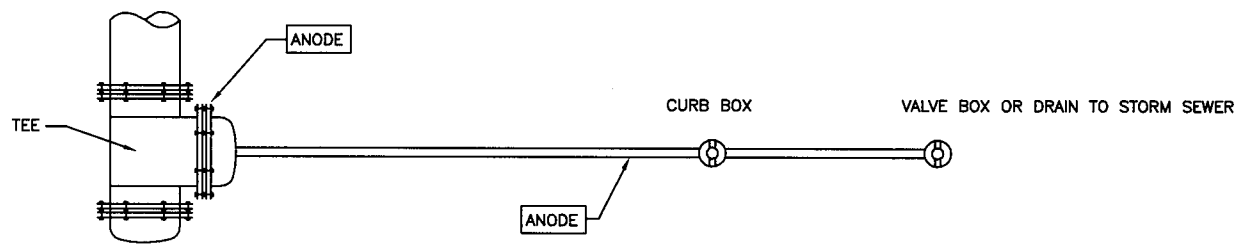
DATE: JAN. 2005

TNT.SD.

302



ELEVATION



PLAN

NOTES:

1. REFER TO WATERWORKS MATERIAL SPECIFICATIONS.
2. ANY JUNCTIONS IN SERVICE TO BE MADE WITH APPROVED COUPLINGS.
3. CURB STOP WITH DRAIN TO BE USED.
4. USE 25mm CURB STOP FOR WATERMAIN DIA. UP TO 200mm. FOR WATERMAIN GREATER THAN 200mm DIA., USE 50mm CURB STOP.



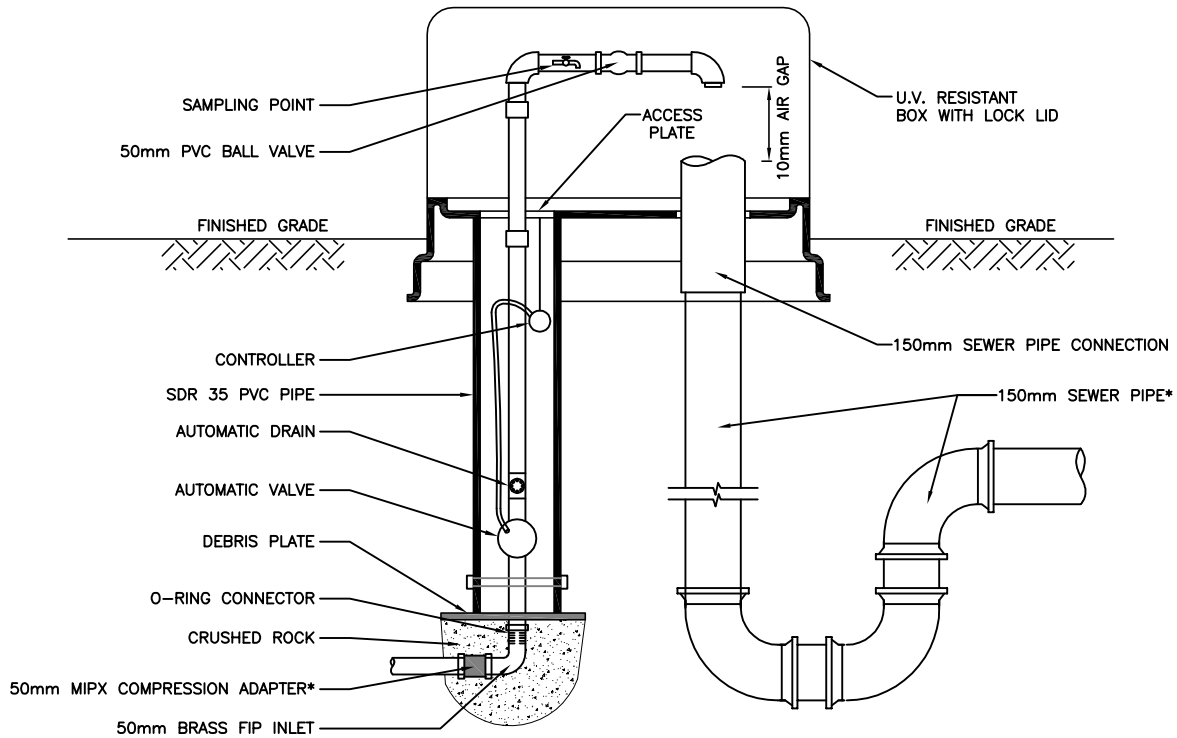
TOWN OF NEW TECUMSETH

SAMPLING STATION
CHAMBER STANDARD

METRIC
ALL DIMENSIONS ARE
IN METRES UNLESS
OTHERWISE SHOWN

NO.	REVISIONS	DATE	APR'D

SCALE: N.T.S.
DATE: FEB. 2011
TNT.SD.
303



* NOT FURNISHED BY KUPFERLE

AUTOMATIC FLUSHING DEVICE SHALL HAVE A 50mm BRASS FIP INLET, LEADING VERTICALLY INTO A 50mm SOLENOID VALVE. AUTOMATIC SOLENOID VALVE SHALL HAVE AN INTERNAL, SELF-CLEANING DEBRIS SCREEN, AND HAVE A 220 PSI RATING EACH UNIT SHALL BE FURNISHED WITH A STAND-ALONE VALVE CONTROLLER. VALVE CONTROLLER WILL NOT REQUIRE A SECOND HAND-HELD DEVICE FOR PROGRAMMING. CONTROLLER MUST HAVE A MINIMUM OF 9 POSSIBLE FLUSHING CYCLES PER DAY, SHALL BE SUBMERSIBLE TO 3.65m, OPERATE WITH A 9 VOLT BATTERY AND HAVE RESIN-SEALED ELECTRICAL COMPONENTS, SOLENOID SHALL HAVE NO LOOSE PARTS WHEN REMOVED FROM VALVE. EACH UNIT SHALL HAVE A DOUBLE-VALVE, ALL BRASS SAMPLING POINT. REMOVAL OF 50mm SOLENOID VALVE SHALL BE POSSIBLE VIA AN O-RING CONNECTOR LOCATED UNDER THE VALVE AFTER REMOVAL OF STAINLESS STEEL ACCESS PLATE. VALVE ASSEMBLY SHALL BE HOUSED IN A PVC ENCLOSURE AND EACH UNIT SHALL BE SELF-DRAINING, NON FREEZING, ALL ABOVE-GROUND COMPONENTS SHALL BE CONTAINED WITHIN A UV-RESISTANT LOCING COVER, AS MANUFACTURED BY KUPFERLE FOUNDRY COMPANY.



TOWN OF NEW TECUMSETH

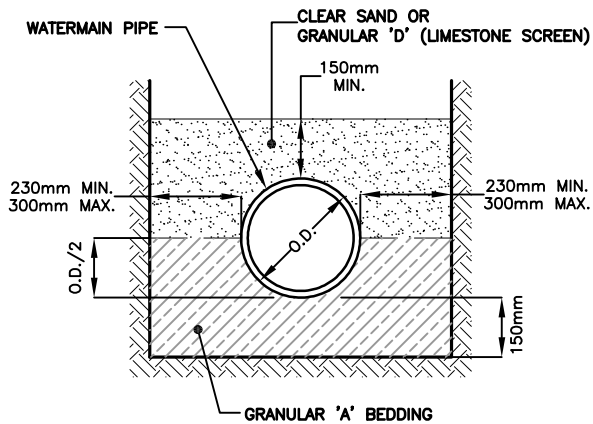
FLUSHING STATION
(KUPFERLE ECLIPSE MODEL 9800)



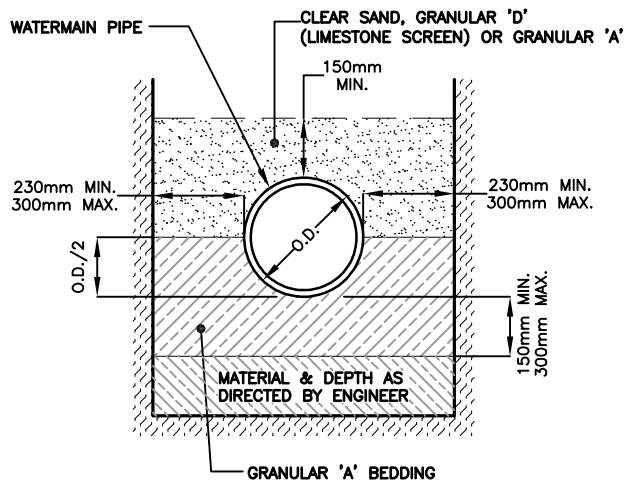
METRIC
ALL DIMENSIONS ARE
IN METRES UNLESS
OTHERWISE SHOWN

NO.	REVISIONS	DATE	APR'D

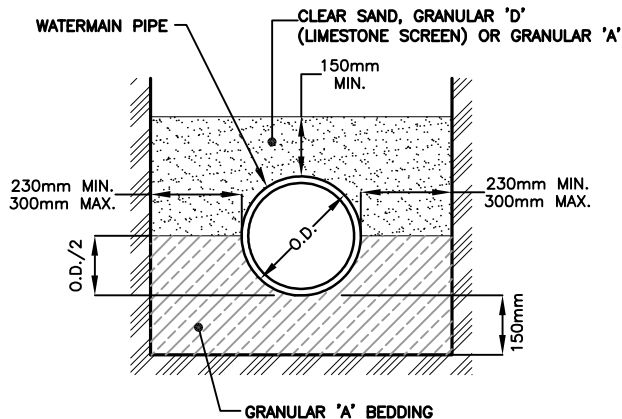
SCALE: N.T.S.
DATE: FEB. 2011
TNT.SD.
304



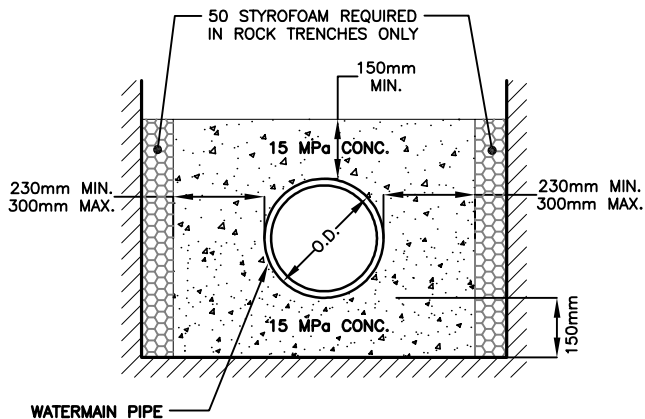
**PREFERRED METHOD
NORMAL SOIL CONDITIONS**



POOR SOIL CONDITIONS



ROCK TRENCHES



CONCRETE ENCASED WHERE SPECIFIED

NOTES:

1. BEDDING MATERIAL TO BE FULLY EXTENDED AND COMPACTED AGAINST TRENCH WALL AND BE PLACED IN 150mm LAYERS AND COMPACTED TO 100% STANDARD PROCTOR DENSITY.
2. CLASS "F1" BEDDING TO BE USED AND ALL JOINTS RESTRAINED IN FILL AREAS, SILTY CLAY, WET TRENCH. ENGINEER MAY VARY PIPE FOUNDATION TO SUIT.
3. BACKFILL ABOVE BEDDING AS APPROVED BY GEOTECHNICAL ENGINEER.
4. GRANULAR MATERIAL AS PER OPSS SPECIFICATION.



TOWN OF NEW TECUMSETH

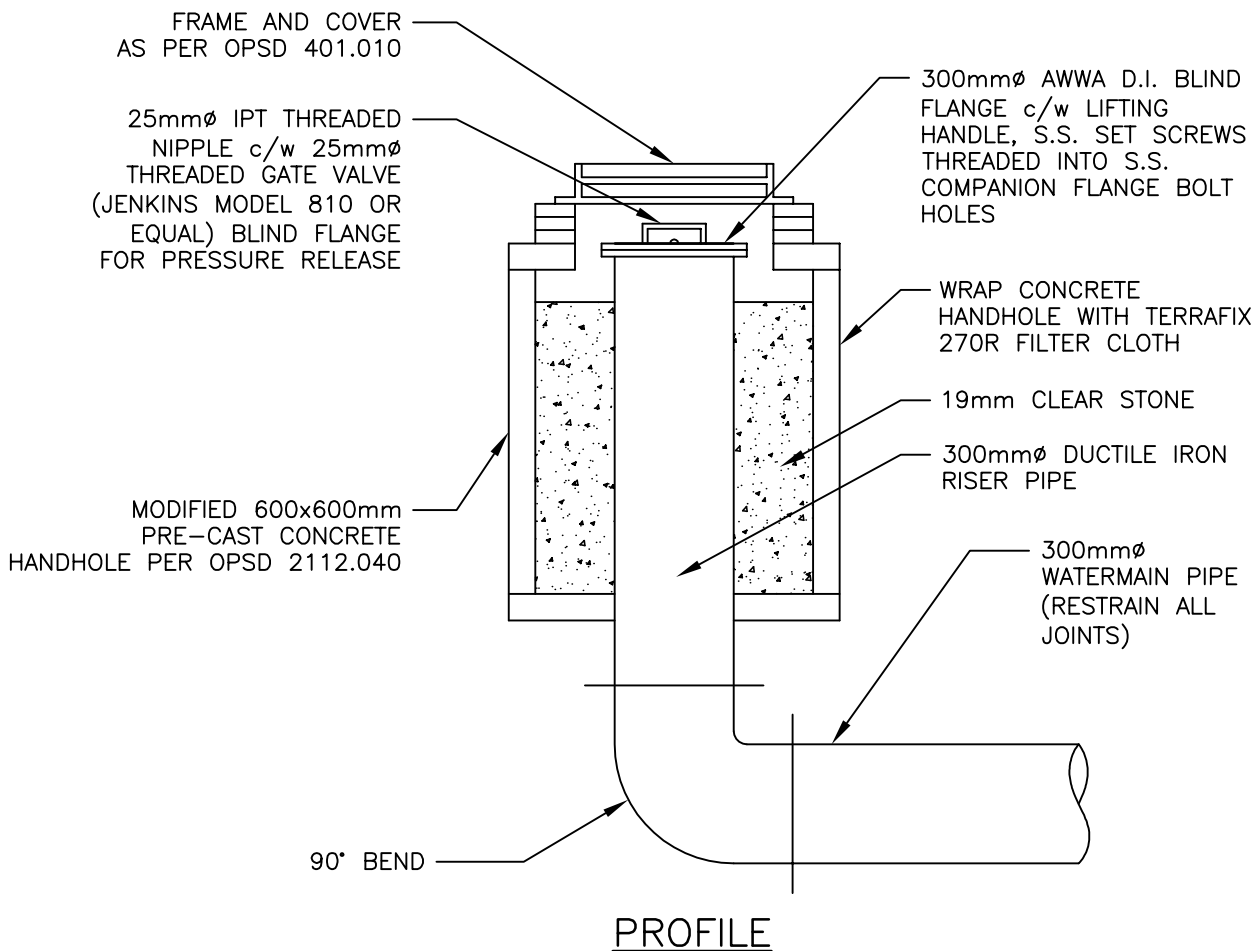
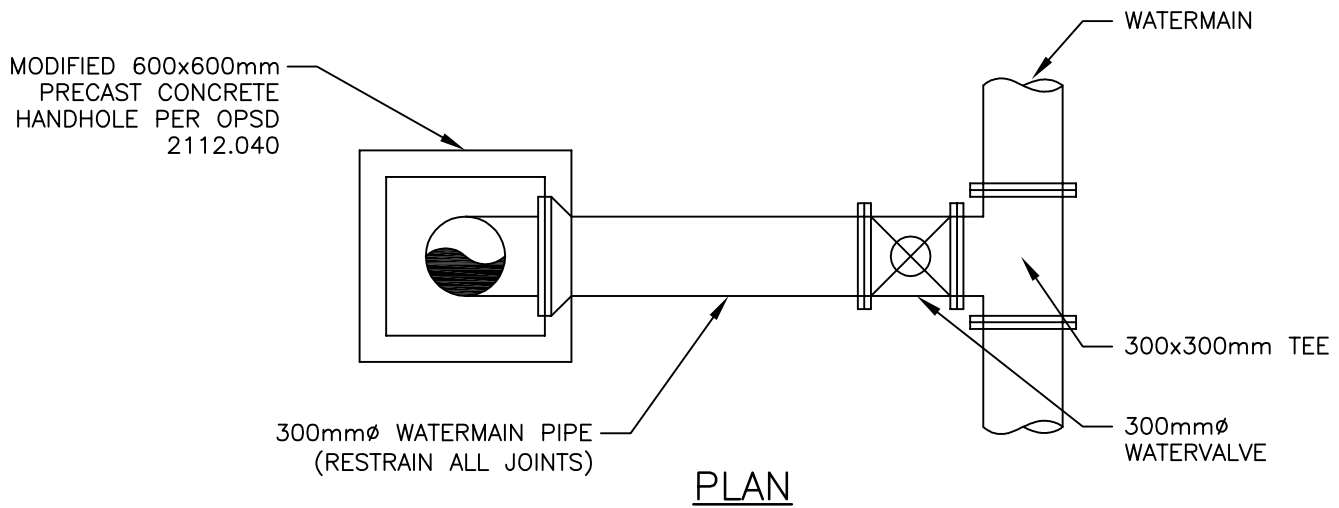
WATERMAIN BEDDING DETAIL





METRIC
ALL DIMENSIONS ARE
IN METRES UNLESS
OTHERWISE SHOWN

NO.	REVISIONS	DATE	APR'D

SCALE: N.T.S.
DATE: FEB. 2011
TNT.SD.
305



	TOWN OF NEW TECUMSETH	WATERMAIN SWABBING PORT DETAIL								
	<p>METRIC ALL DIMENSIONS ARE IN METRES UNLESS OTHERWISE SHOWN</p>	<p>SCALE: N.T.S. DATE: FEB. 2011</p>								
	<table border="1" style="width: 100%; border-collapse: collapse;"> <thead> <tr> <th style="width: 10%;">NO.</th> <th style="width: 60%;">REVISIONS</th> <th style="width: 15%;">DATE</th> <th style="width: 15%;">APR'D</th> </tr> </thead> <tbody> <tr> <td> </td> <td> </td> <td> </td> <td> </td> </tr> </tbody> </table>	NO.	REVISIONS	DATE	APR'D					<p style="font-size: 1.5em; font-weight: bold;">TNT.SD. 308</p>
NO.	REVISIONS	DATE	APR'D							