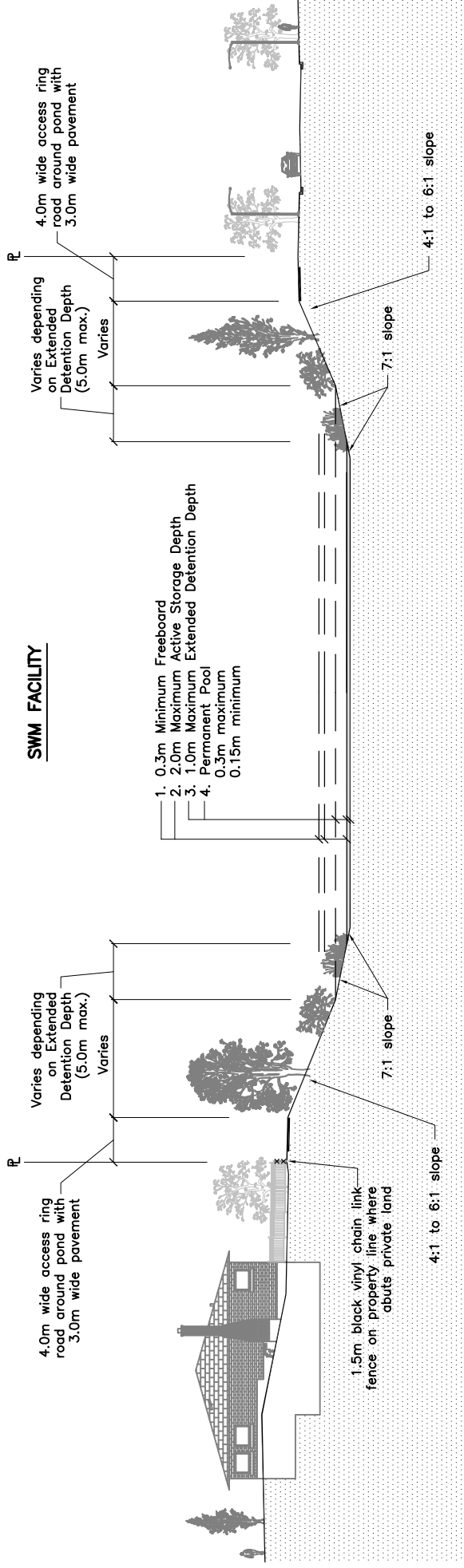


PRIVATE LAND

PUBLIC LAND



NOTES:

- For all wet ponds and wetlands, vegetation strategies are required in all areas, including dry and permanent wet areas.
- For sediment forebay design refer to TNT.SD. 503.
- For micropool design refer to TNT.SD. 504.
- Slope and depth must meet MOE preferred pond criteria.



TOWN OF NEW TECUMSETH

TYPICAL WETLAND

SCALE: N.T.S.

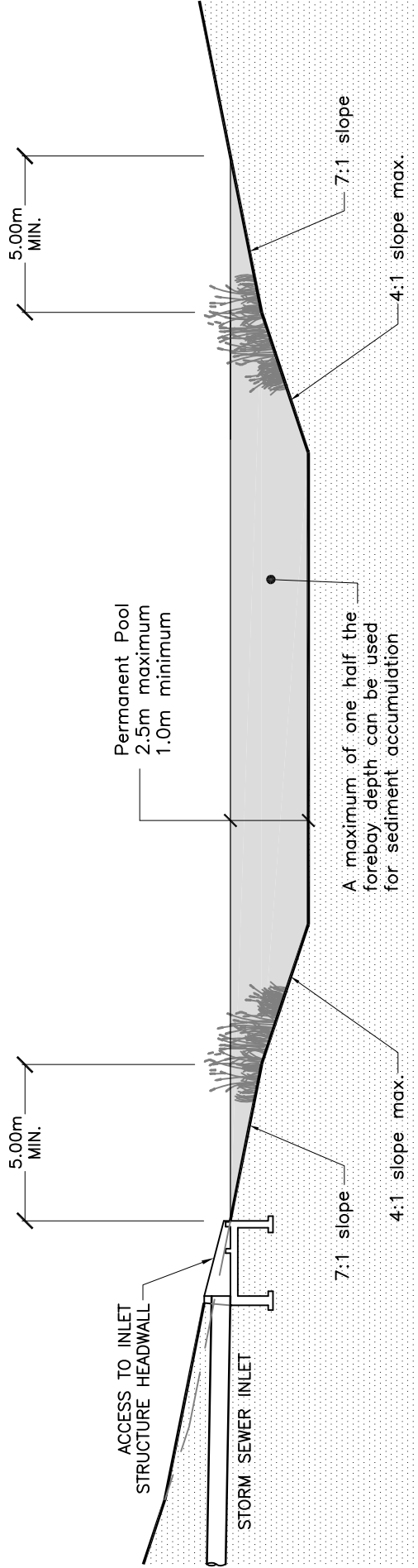
DATE: MAR. 2011

TNT.SD.
502

NO.	REVISIONS	DATE	APR'D



ALL DIMENSIONS ARE IN METRES
UNLESS OTHERWISE SHOWN



TOWN OF NEW TECUMSETH

SEDIMENT FOREBAY DETAIL

SCALE: N.T.S.

DATE: MAR. 2011

TNT.SD.
503

NO.

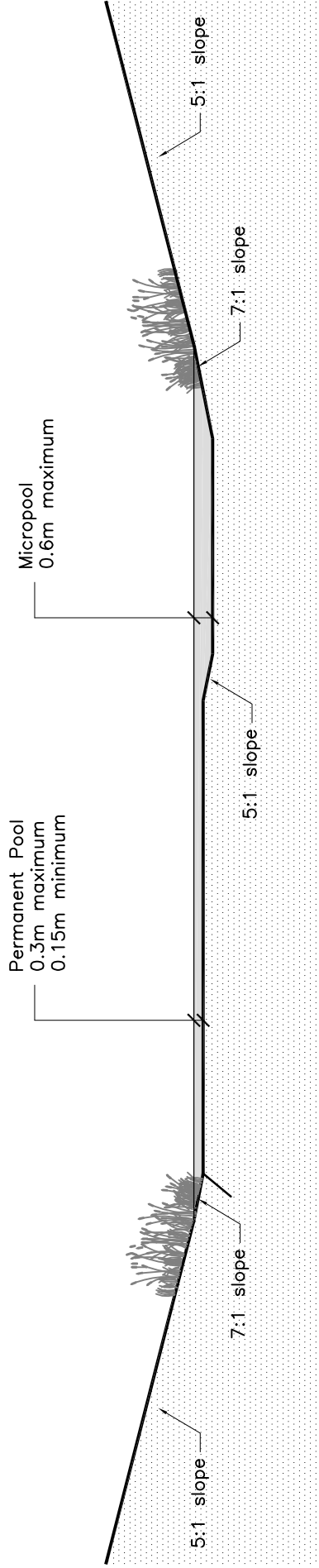
REVISIONS

DATE

APR'D



METRIC
ALL DIMENSIONS ARE IN METRES
UNLESS OTHERWISE SHOWN



NOTE:

Micropools shall have an additional maximum depth of 0.3m below the permanent pool level.
Micropools shall not exceed 5% of the total permanent pool surface area.



TOWN OF NEW TECUMSETH

WETLAND MICROPOOL DETAILS

SCALE: N.T.S.

DATE: MAR. 2011

TNT.SD.
504

NO.

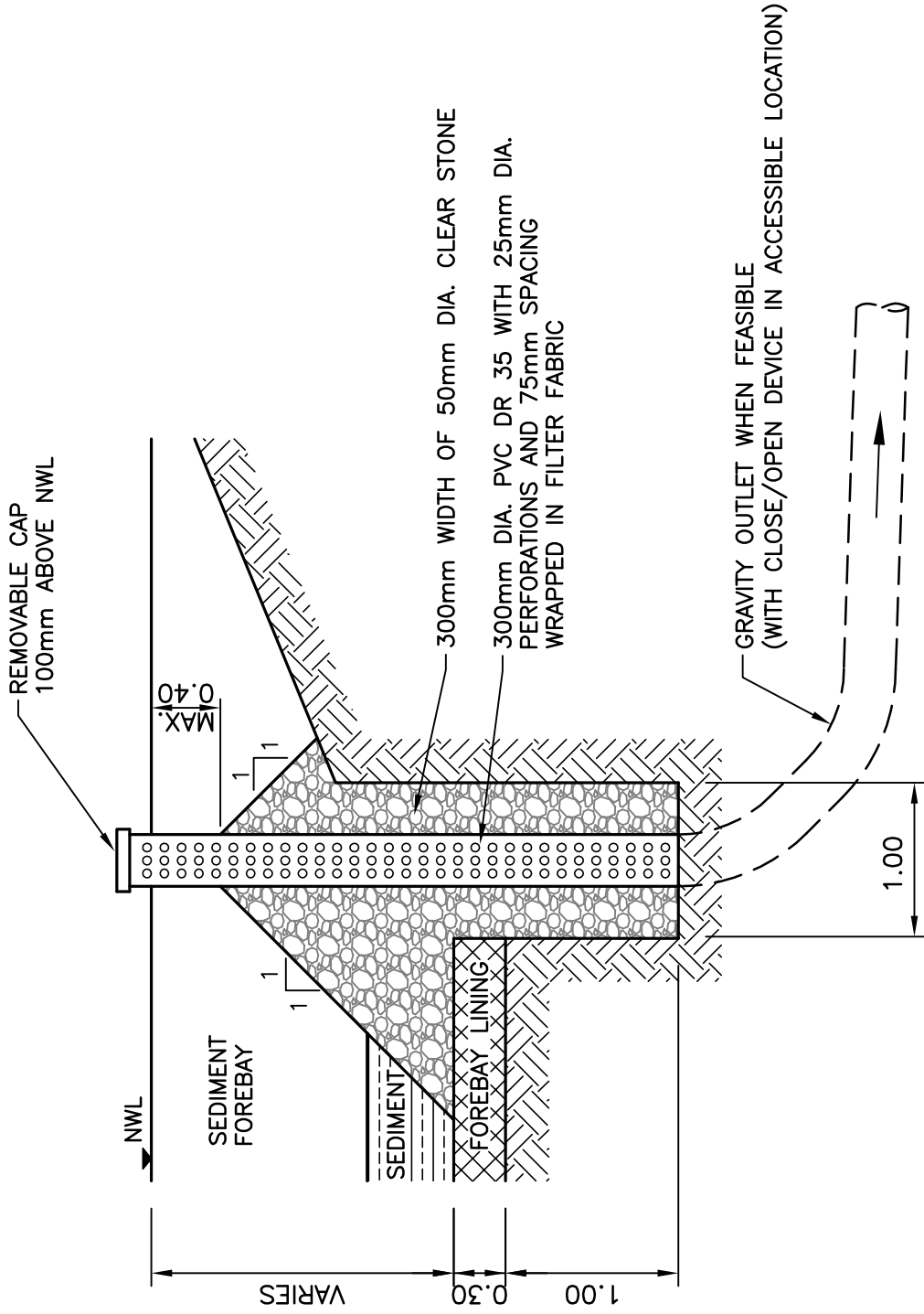
REVISIONS

DATE

APR'D




METRIC
ALL DIMENSIONS ARE IN METRES
UNLESS OTHERWISE SHOWN



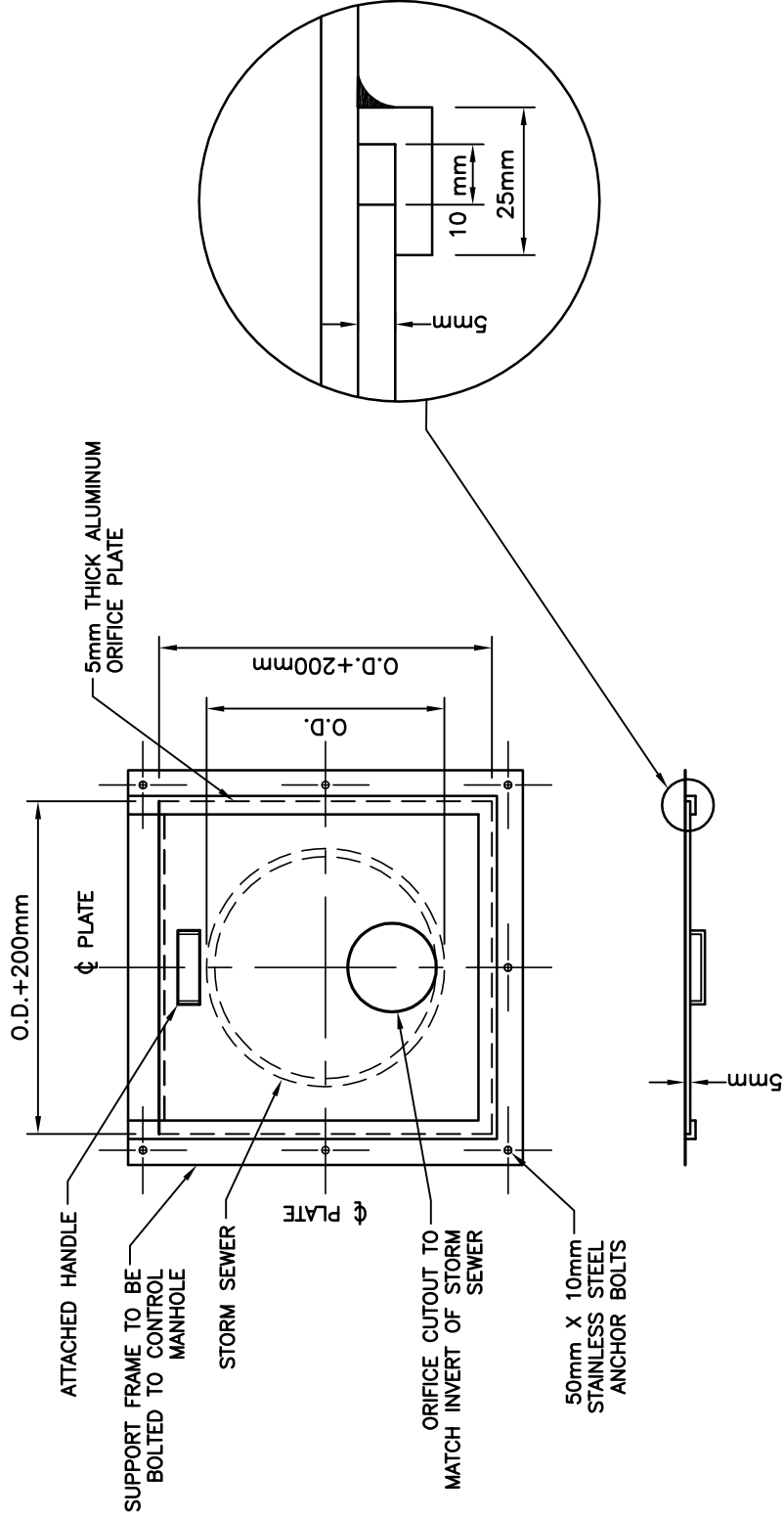
SCALE: N.T.S.
DATE: OCT. 2004
TNT.SD.
505

NO.	REVISIONS	DATE	APR'D

 **TOWN OF NEW TECUMSETH**
FOREBAY DEWATERING SUMP DETAIL



METRIC
ALL DIMENSIONS ARE IN METRES
UNLESS OTHERWISE SHOWN



TOWN OF NEW TECUMSETH

STORM WATER POND
ORIFICE PLATE DETAIL

SCALE: N.T.S.

DATE: MAR. 2011

TNT.SD.
506

NO.

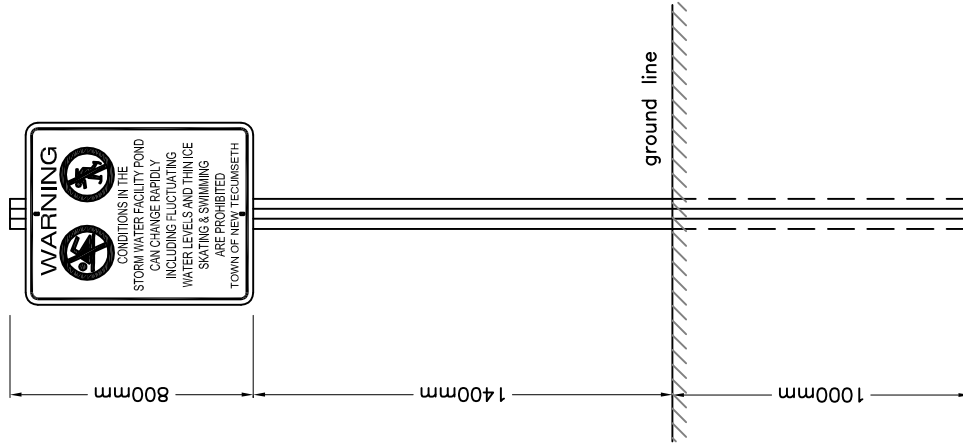
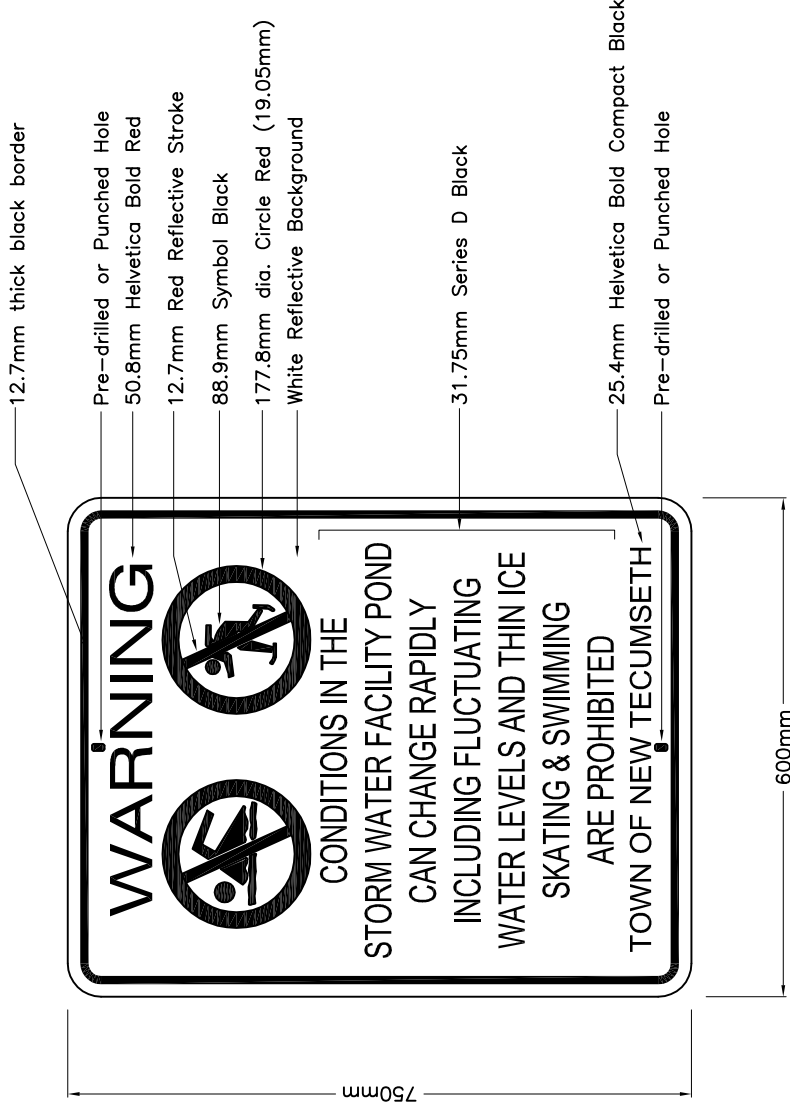
REVISIONS

DATE

APR'D



ALL DIMENSIONS ARE IN METRES
UNLESS OTHERWISE SHOWN



SIGN REQUIREMENTS
SIGN(S) MUST BE PLACED AT ALL POND ENTRANCES & OTHER LOCATIONS TO BE DETERMINED BY TOWN.

SIGNAGE FACE
SIGN(S) TO BE MANUFACTURED USING REFLECTIVE FINISH (ENGINEER GRADE), WITH TOP AND BOTTOM MOUNT HOLES.

MOUNTING
SIGN(S) TO BE MOUNTED TO 3.8m U-CHANNEL GALVANIZED STEEL POST.

		SCALE: N.T.S.	
		DATE: MAR. 2011	
TOWN OF NEW TECUMSETH STORM WATER FACILITY POND WARNING SIGN		TNT.SD.	
		507	
NO.	REVISIONS	DATE	APR'D