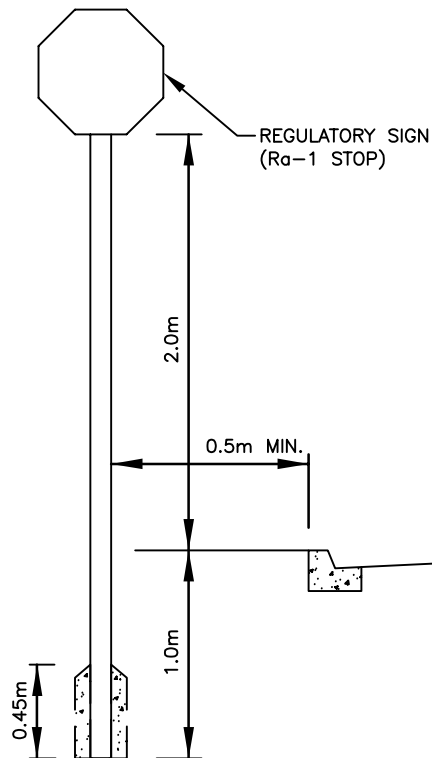
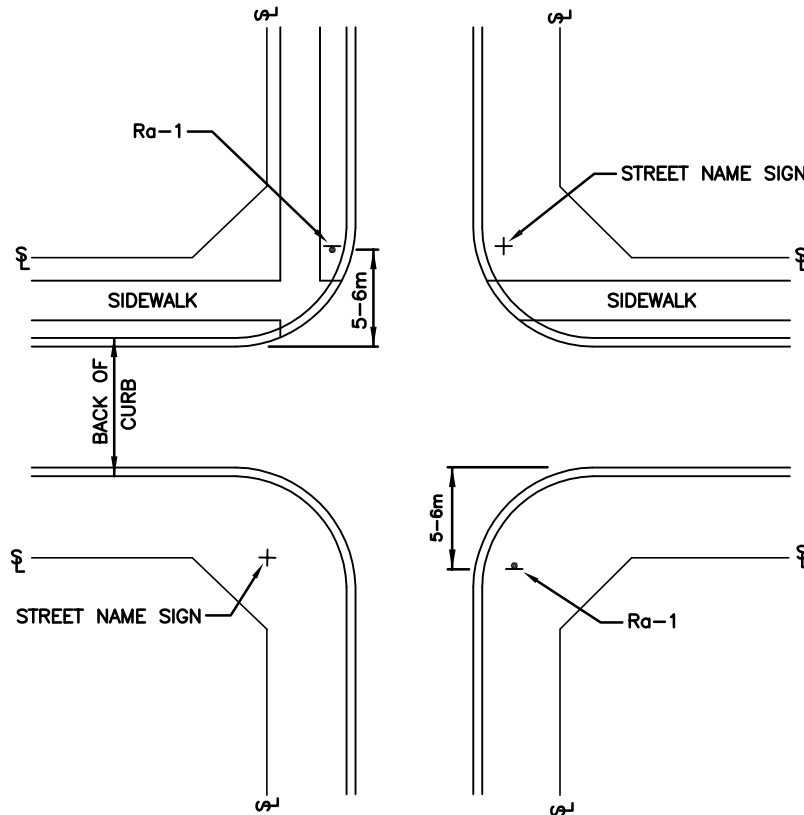


INSTALLATION PLAN



LOCATION PLAN



NOTES:

1. REGULATORY/WARNING SIGNS AS PER OHTA REG. 615/616 OR AMENDMENTS THEREOF.
2. STOP SIGNS (Ra-1) POSTS SHALL BE 60mm x 3.65m GALVANIZED STEEL COMPLETE WITH TOP.
3. STOP SIGNS SHALL BE BANDED TO THE POST WITH MINIMUM 12.7mm x 0.76mm STAINLESS STEEL BANDING AND FLARED LEG STAINLESS STEEL BASKETS (BANDRIT MINI BRACKETS OR EQUIVALENT).
4. ALL OTHER REGULATORY/WARNING SIGNS SHALL BE MOUNTED ON 3.66m 80,000psi U FLANGE POSTS WHICH HAVE THE TOP 1200mm PUNCHED ON 50mm CENTRES WITH 11mm HOLES.
5. ALL REGULATORY AND WARNING SIGNS SHALL BE MOUNTED A MINIMUM OF 2m ABOVE FINISHED GROUND ELEVATION IN URBAN AREAS.
6. ALL REGULATORY AND WARNING SIGN BLANKS SHALL BE GALVANIZED STEEL AND BE OF HIGH DENSITY GRADE REFLECTORIZED SURFACES.



TOWN OF NEW TECUMSETH

STREET SIGNS

NO.	REVISIONS	DATE	APR'D

SCALE: N.T.S.

DATE: MAR. 2011

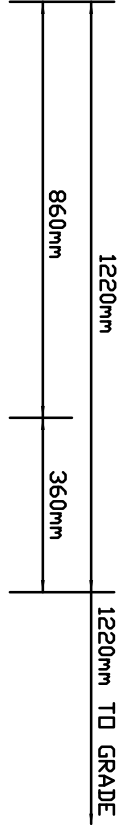
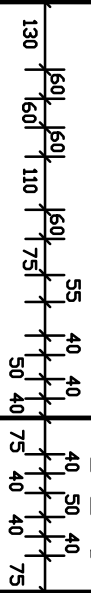
**TNT.SD.
601**

**SOUTH INDUSTRIAL TRUNK SANITARY
SEWER EXTENSION**

Contract No. 90-21

Corporation of the Town of New Tecumseth

STARTING DATE :
COMPLETION DATE :



Construction Supervision	Contractor
Corporation of the Town of New Tecumseth	X Y Z Construction Ltd.
Alliston, Ontario	Anywhere, Ontario

300mm min. TO SUIT

MATERIAL : 2440 x 1220 x 19 PLYWOOD, MOUNT SIGN 1220 ABOVE GRADE
 COLOR : WHITE FIELD WITH BLUE LETTERS
 PAINT : PRIME + TWO FINISH COATS, ALKYD SYSTEM.
 PAINT ALL EXPOSED WOOD SURFACES
 LETTERING : HELVETICA MEDIUM. SIZES AS SHOWN ABOVE

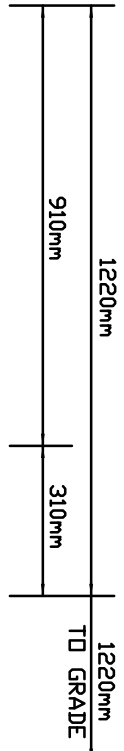
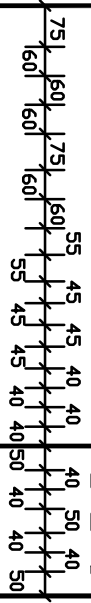
**SOUTH INDUSTRIAL TRUNK SANITARY
SEWER EXTENSION**

Contract No. 90-21

Corporation of the Town of New Tecumseth

**Additional text as required
Additional text as required**

STARTING DATE :
COMPLETION DATE :



Construction Supervision	Contractor
Corporation of the Town of New Tecumseth	X Y Z Construction Ltd.
Alliston, Ontario	Anywhere, Ontario

NOTES:
1. ALL DIMENSIONS ARE IN MILLIMETRES UNLESS OTHERWISE SHOWN.



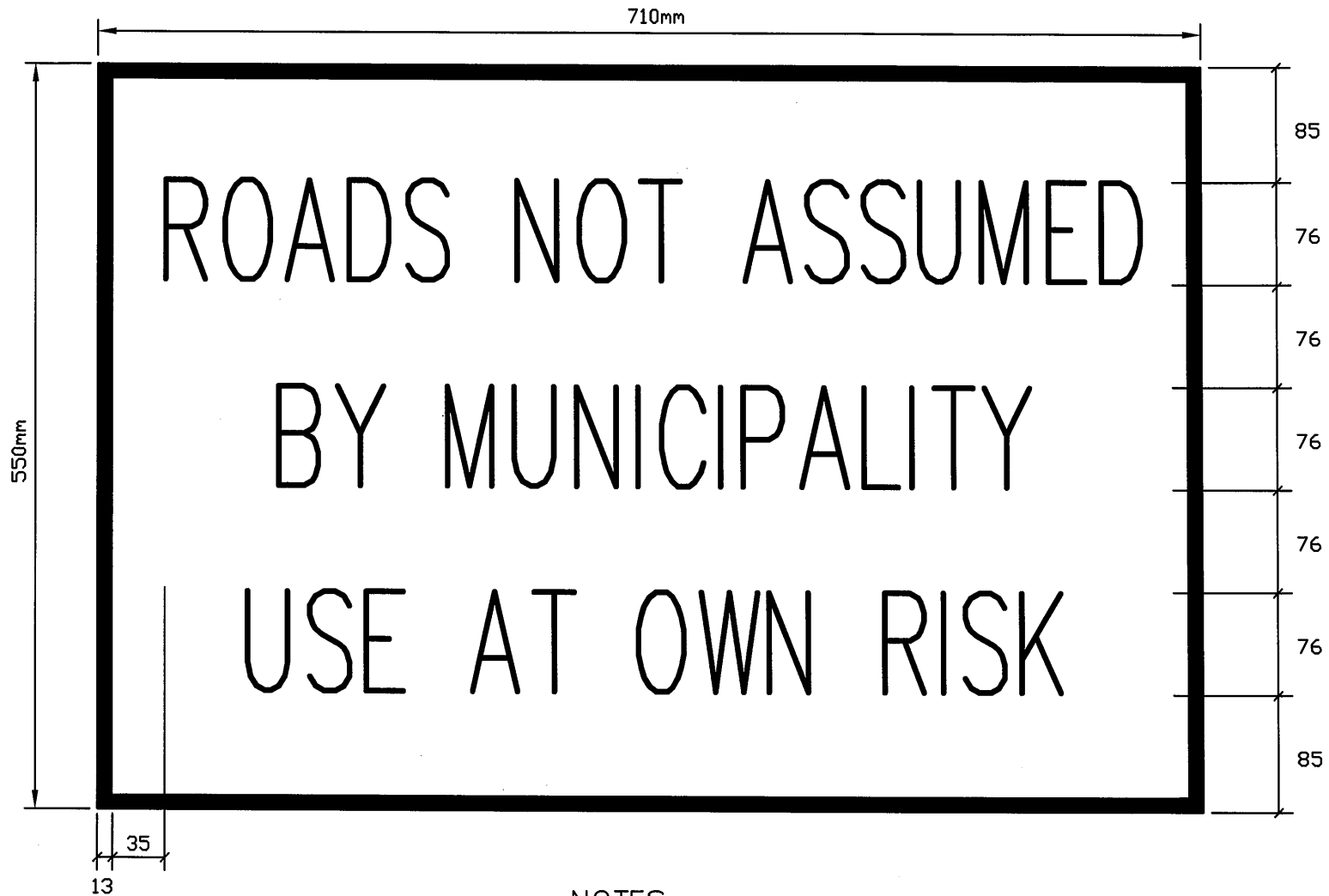
TOWN OF NEW TECUMSETH

**TYPICAL
PROJECT IDENTIFICATION SIGN**

METRIC
ALL DIMENSIONS ARE IN METRES UNLESS OTHERWISE SHOWN

NO.	REVISIONS	DATE	APR'D

SCALE: N.T.S.
DATE: JAN. 2005
TNT.SD.
602



NOTES:

1. COLOR OF LETTERING TO BE BLACK, BACKGROUND WHITE.
2. ALL DIMENSIONS ARE IN MILLIMETRES UNLESS OTHERWISE SHOWN.



TOWN OF NEW TECUMSETH

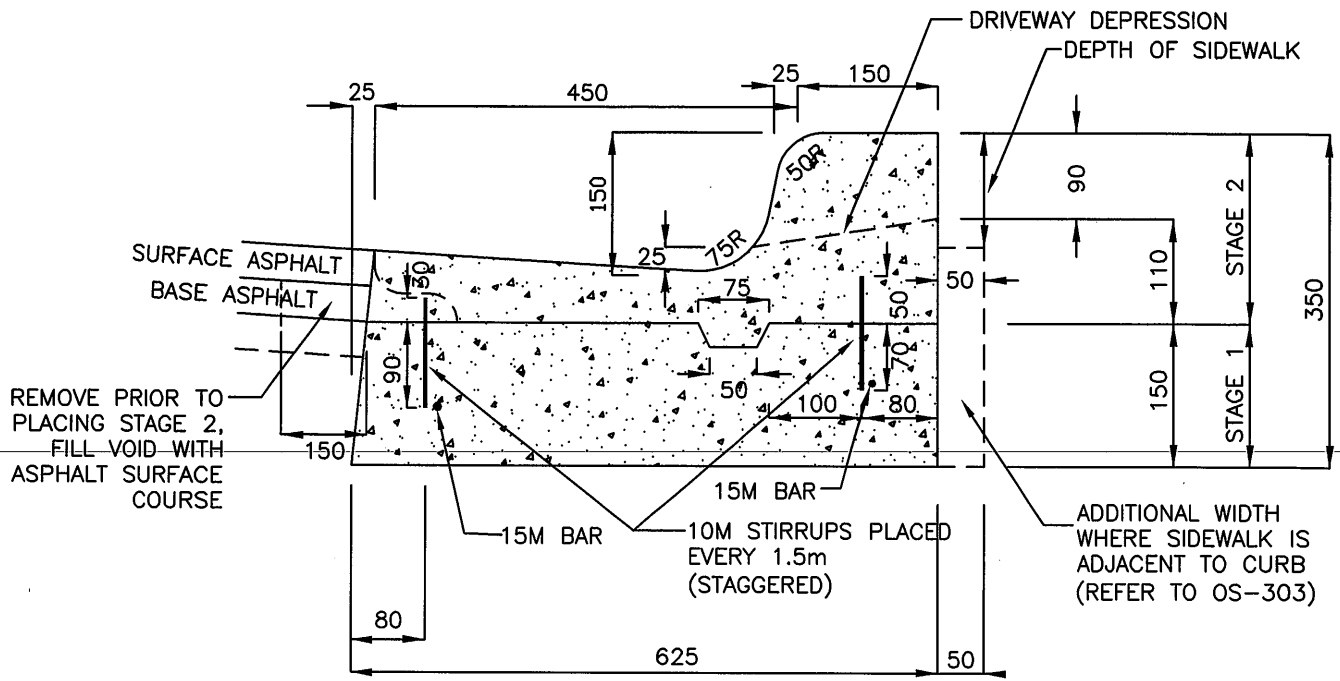
UNASSUMED AREA SIGN

NO.	REVISIONS	DATE	APR'D
1	REVISED PER SUBDIVISION AGREEMENT TEXT	05/21/15	

SCALE: N.T.S.

DATE: MAR. 2011

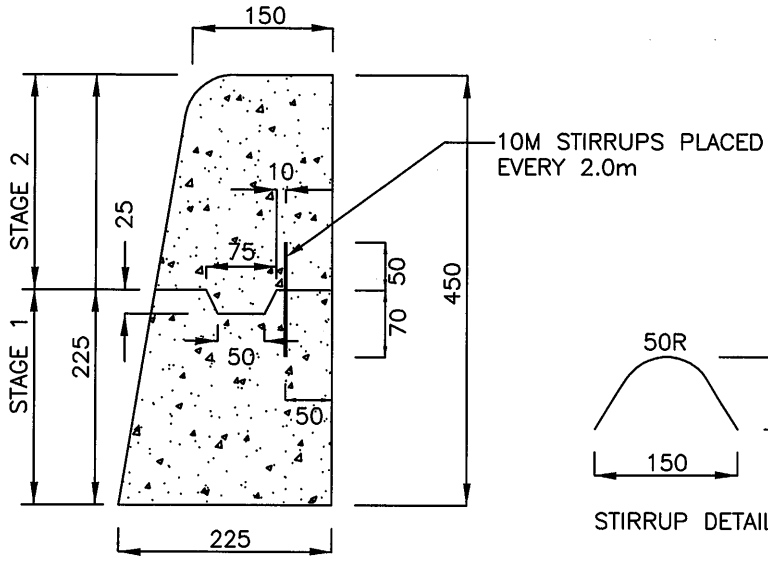
TNT.SD.
603



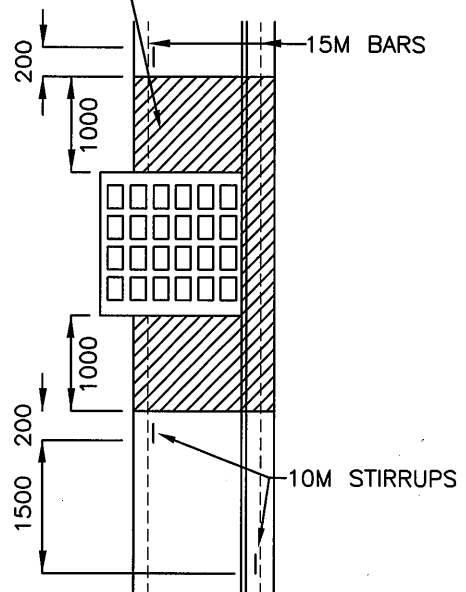
TWO STAGE CURB & GUTTER

STAGE 1 – TEMPORARY
BASE ASPHALT AROUND
CATCH BASIN

STAGE 2 – REMOVE BASE
ASPHALT AND COMPLETE
CURB AND GUTTER. RESET
C.B. TO FINAL GRADE.



TWO STAGE ONLY



NOTES:

1. COMPRESSIVE STRENGTH OF CONCRETE TO BE 30MPa AT 28 DAYS.
2. CONTROL JOINTS (SAWCUTS) TO BE PLACED UNIFORMLY AT 3.0m INTERVALS. DRIVEWAY DEPRESSIONS SHALL BE TRANSVERSE JOINTS AT BOTH EDGES AND AT THE CENTRELINE.
3. TREATMENT AT ENTRANCES SHALL CONFORM WITH OPSD 351.010 FOR URBAN RESIDENTIAL ENTRANCES AND OPSD 350.010 FOR INDUSTRIAL, COMMERCIAL AND APARTMENT ENTRANCES.
4. OUTLET TREATMENT SHALL CONFORM TO OPSD 610 SERIES.
5. FOR SLIP FORMING PROCEDURE, A 5% BATTER IS ACCEPTABLE.
6. FLEXIBLE AND COMPOSITE PAVEMENT SHALL BE PLACED 5mm ABOVE THE ADJACENT EDGE OF GUTTER.
7. REINFORCING BAR IN BASE IS TO BE 15M ON STRAIGHT AND 10 M ON CURVES.
8. BASE CURB IS TO BE POWER WASHED AND BLOWN WITH HIGH PRESSURE AIR PRIOR TO LAYING 2nd STAGE CURB TO ENSURE A CLEAN DAMP SURFACE, ALL TO THE SATISFACTION OF THE TOWN.
9. WHERE 10M STIRRUPS ARE REQUIRED TO BE CORED INTO EXISTING BASE CURB, THE STIRRUPS ARE TO BE EPOXY COATED WHERE EMBEDDED IN THE EXISTING CONCRETE.
10. ALL DIMENSIONS ARE IN MILLIMETRES UNLESS OTHERWISE SHOWN.



TOWN OF NEW TECUMSETH

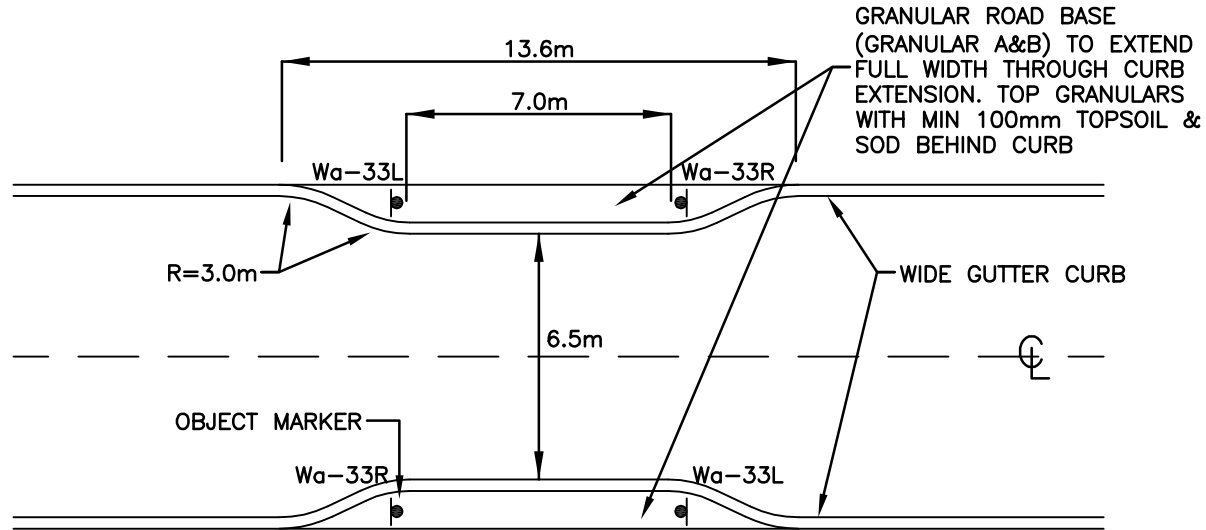
TWO STAGE CONCRETE CURB AND
WIDE GUTTER AND CURB SECTION
ONLY



METRIC
ALL DIMENSIONS ARE
IN METRES UNLESS
OTHERWISE SHOWN

NO.	REVISIONS	DATE	APR'D
1	REVISED 15M BAR LOCATIONS	05/05/15	

SCALE: N.T.S.
DATE: MARCH 2015
TNT.SD.
604



TOWN OF NEW TECUMSETH

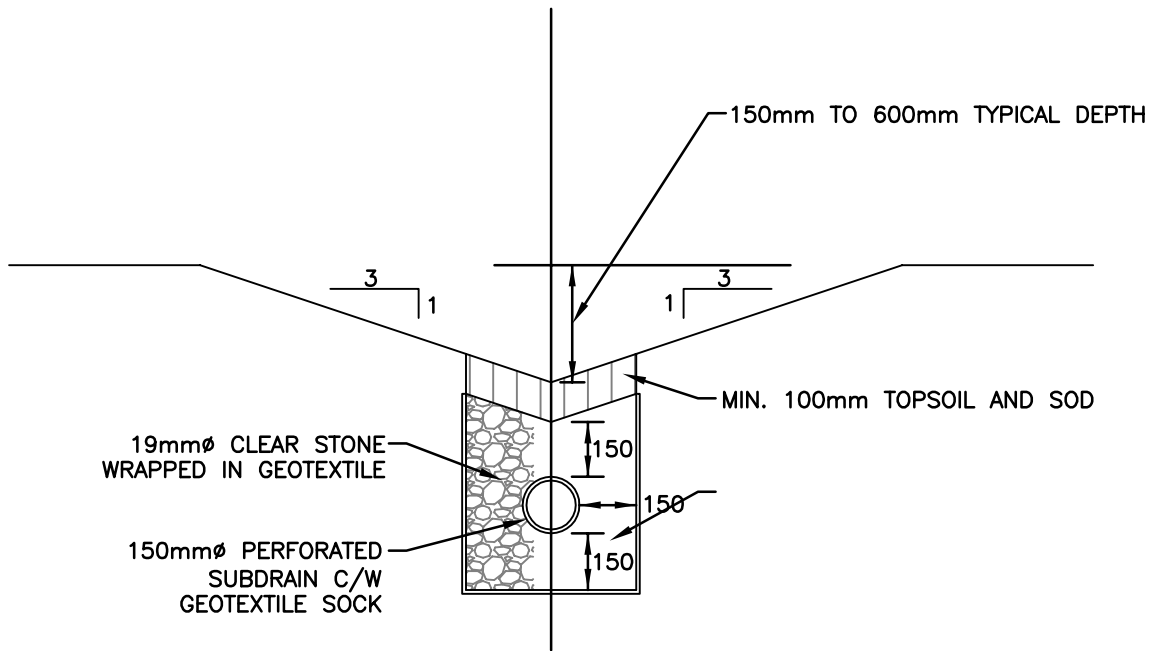
**TYPICAL ROADWAY
 CURB EXTENSION**

NO.	REVISIONS	DATE	APR'D

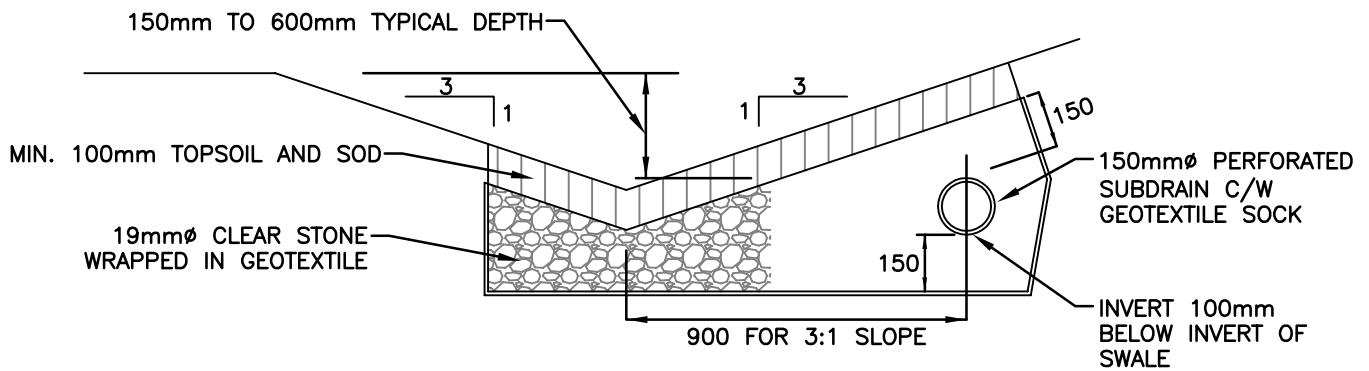
SCALE: N.T.S.

DATE: MAR. 2011

**TNT.SD.
 605**



SUBDRAIN TYPE "A"



SUBDRAIN TYPE "B"

(TYPE "B" SUBDRAIN TO BE USED WHERE
OUTFALL ELEVATION PREVENTS DEEPER
INSTALLATION OF TYPE "A" SUBDRAIN)



TOWN OF NEW TECUMSETH

**DETAIL OF SUBDRAINS FOR
REDUCED SLOP SWALES**



METRIC
ALL DIMENSIONS ARE
IN METRES UNLESS
OTHERWISE SHOWN

NO.	REVISIONS	DATE	APR'D

SCALE: N.T.S.
DATE: MAR. 2011
TNT.SD.
606